

Folding Handles with Recessed Tray

Handle Bar Steel / Stainless Steel,
Handle Tray Zinc Die Casting

SPECIFICATION

Types

- Type **A**: With handle locking in the folded up or folded down position
- Type **B**: With spring return of the handle in the folded down position

Handle bar

- Steel, chrome-plated **CR**
- Stainless steel AISI 303 **NI**
Matte shot-blasted

Handle tray

- Zinc die casting
- Powder coated
- Stainless steel Black, RAL 9005, textured finish **SW**
- Silver, RAL 9006, textured finish **SR**

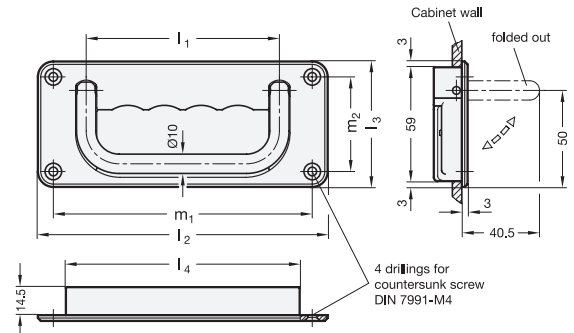


INFORMATION

The folding handles with recessed tray GN 425.8 are used if the handle is to protrude by a maximum of 3 mm when folded down.
In type A, the folding handle is held in both end positions by spring-loaded thrust pieces.
In type B, the folding handle always spring-returns to the starting position after being released, preventing it from protruding with potentially interfering effect.

TECHNICAL INFORMATION

- Installation dimensions (see page)
- Load Rating Information (see page A35)
- Stainless Steel Characteristics (see page A26)



GN 425.8-ST

Description	l ₁	l ₂	l ₃	l ₄	l ₅	l ₆	m ₁	m ₂	⚖
GN 425.8-100-CR-SW-A	100	150	65	121	122	60	134	49	333
GN 425.8-100-CR-SR-A	100	150	65	121	122	60	134	49	333
GN 425.8-100-CR-SW-B	100	150	65	121	122	60	134	49	333
GN 425.8-100-CR-SR-B	100	150	65	121	122	60	134	49	333
GN 425.8-120-CR-SW-A	120	170	65	141	142	60	154	49	370
GN 425.8-120-CR-SR-A	120	170	65	141	142	60	154	49	370
GN 425.8-120-CR-SW-B	120	170	65	141	142	60	154	49	370
GN 425.8-120-CR-SR-B	120	170	65	141	142	60	154	49	370

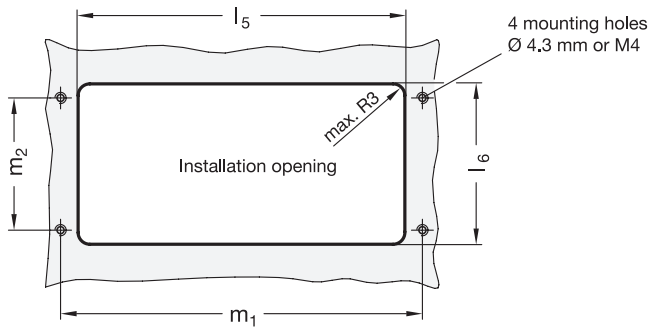
GN 425.8-NI

STAINLESS STEEL

Description	l ₁	l ₂	l ₃	l ₄	l ₅	l ₆	m ₁	m ₂	⚖
GN 425.8-100-NI-SW-A	100	150	65	121	122	60	134	49	333
GN 425.8-100-NI-SR-A	100	150	65	121	122	60	134	49	333
GN 425.8-100-NI-SW-B	100	150	65	121	122	60	134	49	333
GN 425.8-100-NI-SR-B	100	150	65	121	122	60	134	49	333
GN 425.8-120-NI-SW-A	120	170	65	141	142	60	154	49	370
GN 425.8-120-NI-SR-A	120	170	65	141	142	60	154	49	370
GN 425.8-120-NI-SW-B	120	170	65	141	142	60	154	49	370
GN 425.8-120-NI-SR-B	120	170	65	141	142	60	154	49	370



Installation dimensions



4
U-Handles